



Outdoors For Life, LLC

Ladder Pad Instruction & Safety Sheet

THE 12"x24"x1" LADDER PAD IS DESIGNED TO INCREASE THE FOOTING CONTACT AREA OF YOUR LADDER - FOLLOW ALL OSHA & LADDER MANUFACTURER GUIDLINES DURING USE.

- **Level the ground conditions** below the pad to assure the side to side working angle is permitted by the ladder manufacturer and your safety rules. The pad is designed to increase the footing stability, help prevent kick-out, prevent sinking of a small ladder foot, and aid in preventing accidental movement of a ladder.
- **INSPECT THE LADDER PAD BEFORE USE** - Place ladder on Ladder Pad with feet of ladder sitting in recessed slots provided and against the anti-kickout bar.

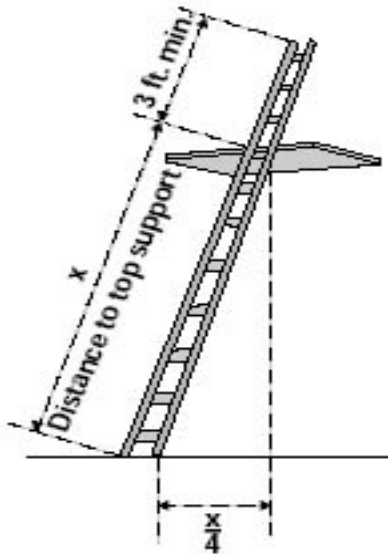


- Connect the ratchet strap to the third step of the ladder for additional securement to the Ladder Pad.
- ***Do not over tighten the ratchet strap; strap is for ladder to pad attachment purposes only***

- If working on terrain other than concrete or asphalt, install the pad spikes through the provided hole in the outer edges of the pad. Anchoring of the pad into the ground increases the footing securement.
- The Ladder Pad should be used in addition to securing the ladder at the top or bottom to prevent displacement.

LADDER SAFETY REMINDERS

- Read and follow all labels/markings on the ladder
- For proper ladder angle, set ladder base 1 foot away from the wall for every 4 feet of ladder length.



- When accessing a roof or other elevated location, the ladder shall extend 3 feet above the roof/ elevated location.
- Avoid electrical hazards! – Look for overhead powerlines before handling a ladder.
- Always maintain a 3-point (two hands and a foot, or two feet and a hand) contact on the ladder when climbing. Keep your body near the middle of the step and always face the ladder while climbing.



- Ladders must be free of any slippery material on the rungs, steps or feet.
- Be sure all locks on an extension ladder are properly engaged.
- Do not exceed the maximum load rating of a ladder. Be aware of the ladder's load rating and the weight it is supporting, including the weight of any tools or equipment.